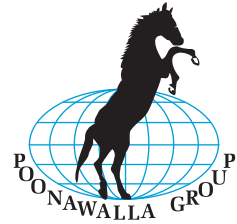




INTERVALVE[®] (INDIA) LTD.



IV DCC

Dual Plate Swing Check Valve

Authorised Dealer;
PUSHKARNA SALES PVT LTD.
4772. Hauz Qazi. Delhi-110006.
Phones; 011-43675881/9818453355.
Email; sales@pushkarnasales.com
Site; www.pushkarnasales.com



Dual Plate Swing Check Valve

The dual plate check valve is a swing check valve uniquely designed for all purpose non-return valve (NRV) applications. The constructional feature makes the valve much smaller in size, lighter in weight & makes it much feasible in operation as compared to conventional swing check valve. The dual plate swing check valve employs dual spring loaded plates/disc hinged on a central hinge pin. It operates on the differential pressure between fluid flow pressure & spring torsion pressure. As the flow pressure reduces, the plates tends to close with a cushion effect by spring torsion force thereby restricting the reversal of fluid flow.

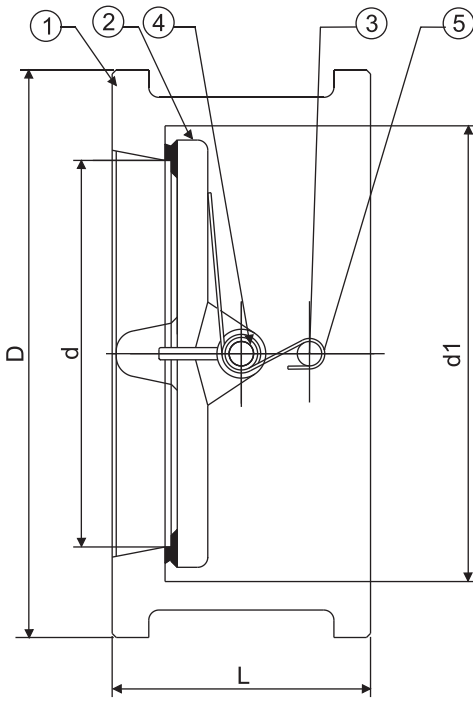
Conformity To Codes & Standards :

Design	:	ANSI B16.34 / API 594
Pr.&Temp Rating	:	ASME / ANSI B16.34
Face To Face & End To End Dimensions	:	ASME / ANSI B16.10 / API 594
Ends	:	Wafer Design
Test & Inspection	:	API 598 / EN12266 Part 1

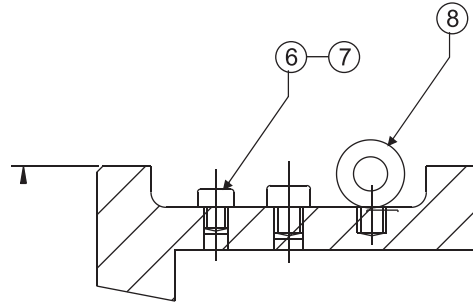
Salient Features :

- ▶ The product designs are in accordance to ANSI B16.34 / API 594 with reliable sealing & sturdy construction to ensure excellent performance
- ▶ The constructional feature reflects on the compactness of the valve by smaller volume, shorter length & even lighter weight
- ▶ Low pressure drop & Low cracking pressure
- ▶ Suitable for the horizontal & vertical pipe runs





Sr.No.	Part Name
1	Body
2	Disc
3	Pin
4	Stem
5	Spring
6	Gasket
7	Bolt
8	Eye Bolt

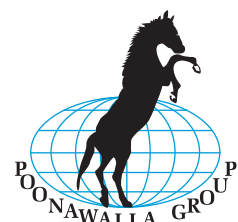


DIMENSIONS (mm)
DUAL PLATE CAST STEEL SWING CHECK VALVE

SIZE		#150				#300				#600				#900			
NPS	DN	L	d	d1	D	L	d	d1	D	L	d	d1	D	L	d	d1	W
2"	50	60	51	56	103	60	51	58	110	60	51	58	110	70	51	58	140
2.5"	65	67	65	73	122	67	65	73	128	67	65	73	128	83	65	73	162
3"	80	73	80	88	135	73	80	88	147	73	80	88	147	83	80	90	165
4"	100	73	102	108	173	73	102	108	179	79	102	108	191	102	102	108	204
5"	125	86	127	132	195	86	127	132	214	105	127	136	239	110	127	136	245
6"	150	98	152	160	220	98	152	160	249	136	152	162	264	159	150	162	286
8"	200	127	203	210	277	127	203	210	305	165	200	212	318	206	200	212	356
10"	250	146	254	266	337	146	254	266	359	213	250	266	398				
12"	300	181	305	310	407	181	305	310	420	229	305	312	455				
14"	350	184	350	355	448	222	350	355	483	273	337	355	490				
16"	400	191	400	405	512	232	400	405	537	305	387	400	562				
18"	450	203	450	455	547												
20"	500	219	500	505	604												
24"	600	222	600	605	715												



INTERVALVE[®] (INDIA) LTD.
 212/2, HADPSAR, OFF. SOLI POONAWALLA ROAD, PUNE - 411 028. INDIA
 TEL : 91 - 20 - 2699 3900, 2699 3904 FAX : 91 - 20 - 2699 3921
[HTTP://WWW.POONAWALLAGROUP.COM](http://www.poonawallagroup.com)
 E-MAIL : INTERVALVE@POONAWALLAGROUP.COM



Specifications & dimensions are subject to change without prior notice.

CAT/GCC- 11 / 08